

**ELKO EP, s.r.o.**  
 Palackého 493  
 769 01 Holešov, Všetuly  
 Czech Republic  
 Tel.: +420 573 514 211  
 e-mail: elko@elkoep.com  
 www.elkoep.com

Made in Czech Republic

02-208/2016 Rev.: 2



## TEV-4

### Thermostat



#### Characteristics

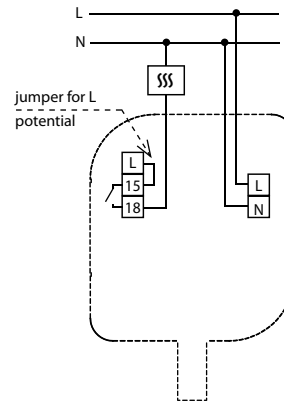
- single exterior thermostat for monitoring and regulation of temperature in demanding environments (humid and contaminated, aggressive and defective, industrial workshops, washing rooms, green-houses, cellars and cooling boxes...)
- external version in IP65, box for mounting on the wall
- built-in thermo-sensor is integrated in the device
- two functions adjustable by jumper: heating and cooling
- 3 adjustable (by jumper) ranges of temperature, and fine adjustment through potentiometer
- 3 adjustable (by jumper) levels of hysteresis
- supply voltage 230 V AC
- potentialless NO contact 12 A AC1 switching

Note: Device is supplied with jumper L-15 (3-wire connection). For the correct function of device is necessary sensor-side down device mounting.

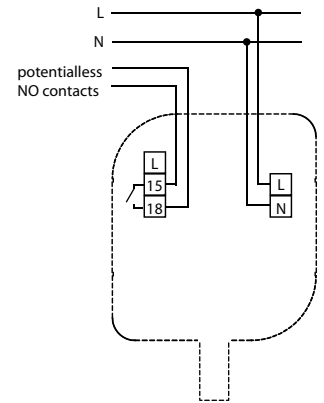
Attach the device with a suitable bonding material based to the substrate (eg round head screw, Ø 4 mm / 0.2", min. Length 30 mm / 1.2").

#### Connection

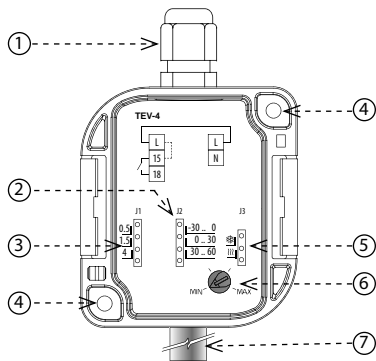
3-wire connection



4-wire connection



#### Description



❄ - Cooling

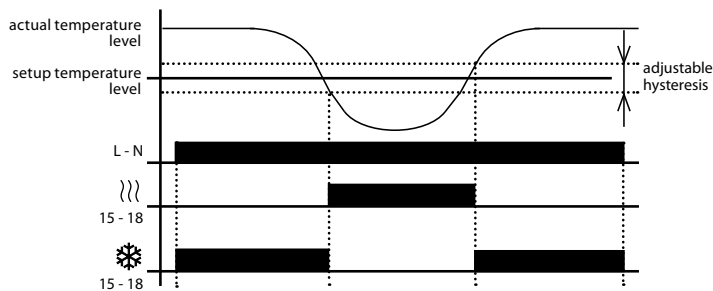
||| - Heating

1. Cable grommet M16x1.5 for cable max. Ø 10 mm / 0.4"
2. Adjustable range setting (°C)
3. Hysteresis (°C)
4. Hole for mounting on the wall Ø 4.3 mm / 0.2"
5. Function setting
6. Slight setup finish in the frame of range
7. Temperature sensor

Type of load	cos φ ≥ 0.95								
Mat. contacts AgSnO <sub>2</sub> contact 12A	AC1 250V / 12A	AC2 250V / 3.7A	AC3 250V / 2.2A	AC5a uncompensated 230V / 2.2A (510VA)	AC5a compensated 230V / 2.2A (510VA) to max. input C=14uF	AC5b 1120W	AC6a x	AC7b 250V / 2.2A	AC12 250V / 7.5A
Type of load									
Mat. contacts AgSnO <sub>2</sub> contact 12A	AC13 250V / 4.5A	AC14 250V / 4.5A	AC15 250V / 4.5A	DC1 24V / 12A	DC3 24V / 3A	DC5 24V / 3A	DC12 24V / 12A	DC13 24V / 1.5A	DC14 24V / 1.5A

TEV-4

Supply	
Supply terminals:	L - N
Supply voltage:	AC 230 V / 50 - 60 Hz
Input (apparent / loss):	max. 6 VA / 0.7 W
Max. dissipated power (Un + terminals):	2.5 W
Tolerance of supply voltage:	- 15 %.. +10 %
Function	
setting by jumper J3	
- ❄:	cooling
- 🔥:	heating
Temperature setting	
by jumper J2	
- range 1:	-30 °C to 0 °C (-22 °F to 32 °F)
- range 2:	0 °C to +30 °C (32 °F to 86 °F)
- range 3:	+ 30 °C to +60 °C (86 °F to 140 °F)
Slight temperature setting:	potentiometer
Hysteresis	
0.5 / 1.5 / 4 °C (32.9 / 34.7 / 39.2 °F)	
Hysteresis setting:	by jumper J1
Output	
Output contact:	1 x NO- SPST (AgSnO <sub>2</sub> )
Rated current:	12 A / AC1
Switching output:	3000 VA / AC1, 384 W / DC
Peak current:	30 A / < 3 s
Switched voltage:	250 V AC / 24 V DC
Mechanical life:	3 x 10 <sup>7</sup>
Electrical life:	0.7 x 10 <sup>5</sup>
Other information	
Operation temperature:	-30 °C to +65 °C (-22 °F to 149 °F)
Storing temperature:	-30 °C to +70 °C (-22 °F to 158 °F)
Electrical strength:	4kV (supply-output)
Operation position:	sensor-side down
Protection degree:	IP65
Overvoltage category:	III.
Pollution level:	2
Max. cable size (mm <sup>2</sup> ):	max. 1x2.5, max. 2x1.5 / with sleeve max. 1x2.5 (AWG 12)
Suggested power-supply cable:	CYKY 3x 2.5 (CYKY 4x 1.5)
Dimensions:	153 x 62 x 34 mm (6" x 2.4" x 1.3")
Weight:	123 g (4.3oz.)
Standards:	EN 60730-2-9, 61010-1



Warning

The device is constructed to be connected into 1-phase main and must be installed in accordance with regulations and norms applicable in a particular country. Installation, connection and setting can be done only by a person with an adequate electro-technical qualification which has read and understood this instruction manual and product functions. The device contains protections against over-voltage peaks and disturbing elements in the supply main. To ensure correct function of these protection elements it is necessary to front-end other protective elements of higher degree (A,B,C) and screening of disturbances of switched devices (contactors, motors, inductive load etc.) as it is stated in a standard. Before you start with installation, make sure that the device is not energized and that the main switch is OFF. Do not install the device to the sources of excessive electromagnetic disturbances. By correct installation, ensure good air circulation so the maximal allowed operational temperature is not exceeded in case of permanent operation and higher ambient temperature. While installing the device use screwdriver width approx. 2 mm. Keep in mind that this device is fully electronic while installing. Correct function of the device is also depended on transportation, storing and handling. In case you notice any signs of damage, deformation, malfunction or missing piece, do not install this device and claim it at the seller. After operational life treat the product as electronic waste.