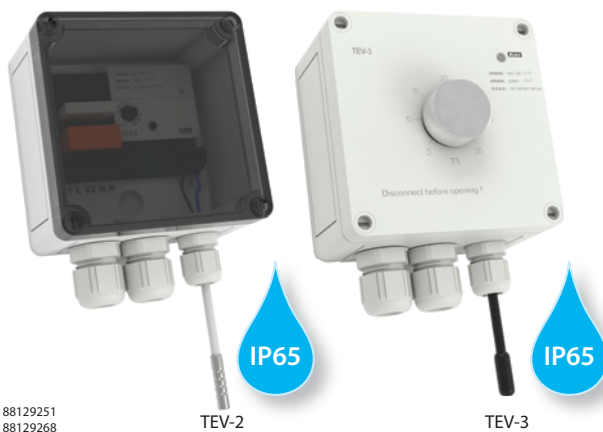


TEV-2, TEV-3 | Single-level thermostats with ranges of -20 .. + 35° C in increased protection

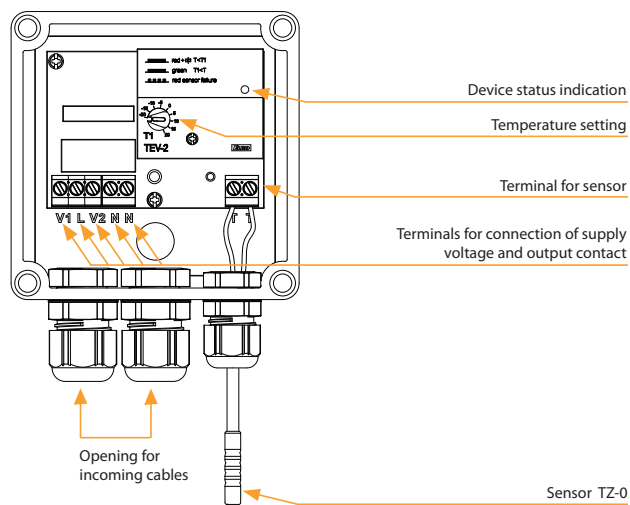


- Single level thermostat with possibility of temperature management in adjustable range.
- Used to regulate heating (or cooling) in demanding spaces (outdoor environment, humidity, dust).
- Thermostat is placed in water-proof box with IP65 protection, which enables installation outside, with in-built sensor.
- **TEV-2:** control and indication elements are placed under transparent cover.
- **TEV-3:** control and indication elements are placed directly on the cover (for easy orientation and frequent change of temperature).
- Thermostat status is indicated by two-tone LED.
- Function of monitoring sensor disconnection and short-circuit.

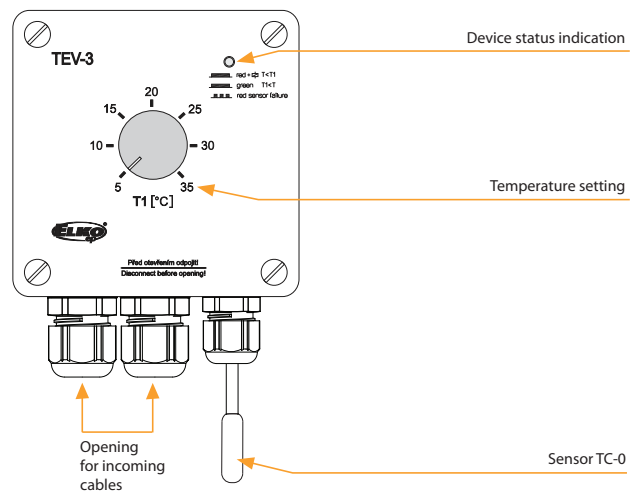
EAN code
TEV-2: 8595188129251
TEV-3: 8595188129268

Technical parameters	TEV-2	TEV-3
Function:	single-level thermostat	
Supply terminals:	L-N	
Supply voltage:	AC 230 V (50-60 Hz)	
Consumption (max.):	2.5 VA/0.5 W	
Supply voltage tolerance:	± 15 %	
Measuring circuit		
Measuring terminals:	T-T	
Temperature ranges:	-20 .. +20 °C (-4 .. 68 °F)	+5 .. +35 °C (41 .. 95 °F)
Hysteresis (sensitivity):	3 °C (± 1.5 °C)/37.4 °F (± 34.7 °F)	
Sensor:	thermistor NTC 12 kΩ	
Accuracy		
Setting accuracy (mech.):	5 %	
Temperature dependency:	< 0.1 %/°C (°F)	
Output		
Contact type:	1x changeover/SPDT (AgNi)	
Current rating:	16 A/AC1	
Breaking capacity:	4000 VA/AC1, 384 W/DC1	
Inrush current:	30 A/< 3 s	
Switching voltage:	250 V AC/24 V DC	
Power dissipation (max.):	1.2 W	
Mechanical life:	10.000.000 ops.	
Electrical life (AC1):	100.000 ops.	
Other information		
Operating temperature:	-30 .. +50 °C (-22 .. 122 °F)	
Storage temperature:	-30 .. +70 °C (-22 .. 158 °F)	
Operating position:	any	
Protection degree:	IP65	
Overvoltage category:	III.	
Polution degree:	2	
Cross-wire section – solid/ stranded with ferrule (mm²):	max. 1x 2.5, 2x 1.5/ max. 1x 2.5 (AWG 12)	
Dimensions:	110 x 135 x 66 mm (4.33" x 5.3" x 2.3")	
Weight:	270 g (9.5 oz)	274 g (9.7 oz)
Standards:	EN 60255-1, EN 60255-26, EN 60255-27	

Description TEV-2 (without cover)

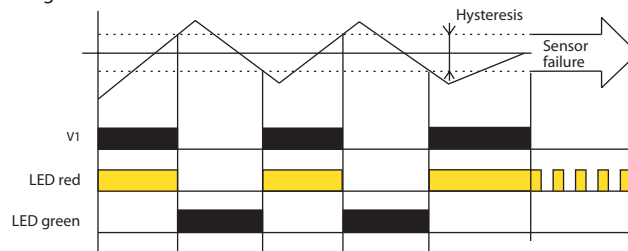


Description TEV-3 (with cover)



Function TEV-2, TEV-3

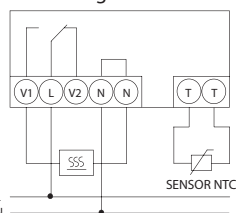
Heating function



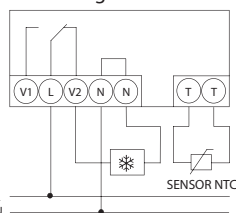
TEV-2 and TEV-3 are universal single thermostats for universal use. In case ambient temperature is higher than set temperature relay is open (function HEATING). For cooling function (opposite function) is possible to use NC contact of relay (V2).

Connection

Heating function



Cooling function



Symbol

