



EAN code
 IM3-20B: 8595188132305
 IM3-40B: 8595188132312
 IM3-80B: 8595188132329

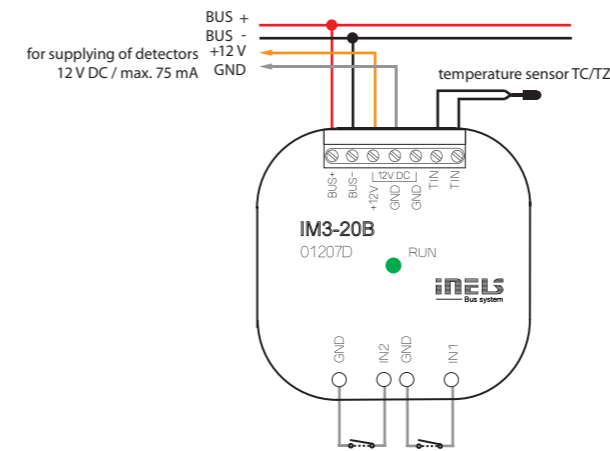
| Technical parameters | IM3-20B | IM3-40B | IM3-80B |
|--|---|------------|------------|
| Inputs | | | |
| Input: | 2x* | 4x* | 8x* |
| | IN1, IN2** | IN1, IN2** | IN1- IN5** |
| Max. frequency pulse reading: | 20 Hz | | |
| Temperature measuring: | Yes, input for external thermo sensor TC/TZ | | |
| Range /accuracy of thermomeasuring: | -20 to +120°C / 0.5°C from the range | | |
| Outputs | | | |
| Output voltage / current: | 12 V DC / 75 mA, for supplying EZS sensors | | |
| Communication | | | |
| Installation BUS: | BUS | | |
| Status indication unit: | green LED RUN | | |
| Power supply | | | |
| Supply voltage / tolerance: | 27 V DC, -20 / +10 % | | |
| Dissipated power: | max. 1 W | | |
| Rated current: | 20 mA (at 27V DC), from BUS | | |
| Rated current of unit for full load on output 12 V DC: | 60 mA | 100 mA | |
| Connection | | | |
| Terminal: | 0.5-1 mm ² | | |
| Inputs: | 4x conductors CY, profile 0.75mm ² , length 90mm | x | |
| Operating conditions | | | |
| Operating temperature: | -20 to +55 °C | | |
| Storing temperature: | -30 to +70 °C | | |
| Protection degree: | IP30 | | |
| Overvoltage category: | II. | | |
| Pollution degree: | 2 | | |
| Operating position: | any | | |
| Installation: | into installation box | | |
| Dimensions and weight | | | |
| Dimensions: | 49 x 49 x 13 mm | | |
| Weight: | 30 g | 32 g | 27 g |

- Binary input units IM3-20B, IM3-40B and IM3-80B are used for connection of 2, 4 or 8 devices with potential-less contacts (switches, buttons, switches of other design, PIR detectors, fire and gas detectors, etc.).
- Part of the inputs can be used as a balanced for alarm detectors:
 - IM3-20B – inputs IN1, IN2
 - IM3-40B – inputs IN1, IN2
 - IM3-80B – inputs IN1 – IN5.
- Contacts of external devices connected to the inputs of the unit can be NO or NC - Input parameters are configured in the software iDM3.
- Within the internal EZS configured in the iDM3 software, inputs must be set to balance or double balance.
- The units generate a supply voltage of 12V DC / 75 mA for powering external intrusion detectors, so they can power PIR detectors, fire and gas detectors.
- Active use 12 V DC output for powering detectors increases the nominal consumption of units from BUS (see technical data).
- The units can be used for counting pulses of energy meters with pulse output.
- The units are equipped with a temperature input for connecting an external two-wire temperature sensor TC/TZ (see accessories).
- IM3-20B, IM3-40B, IM3-80B in case type B are designed for mounting into a installation box.

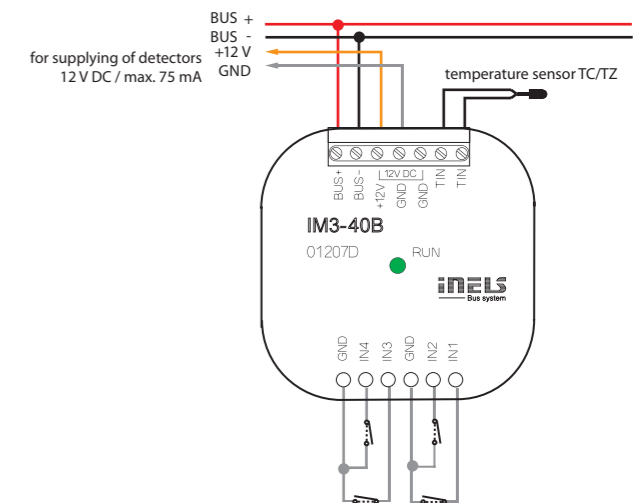
* NO or NC against GND(-)
 ** are balanced inputs

Connection

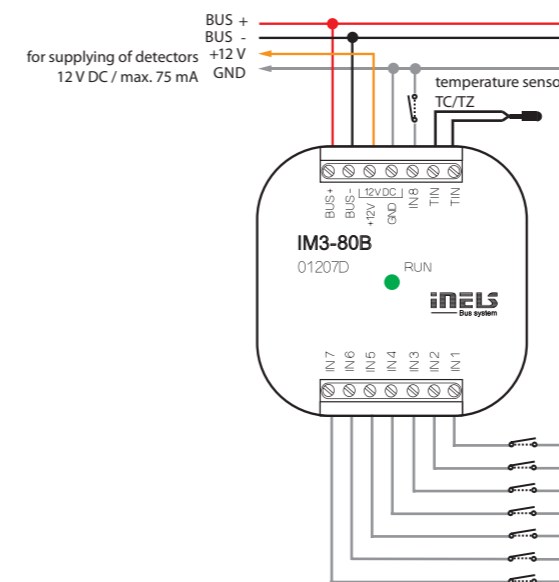
IM3-20B



IM3-40B

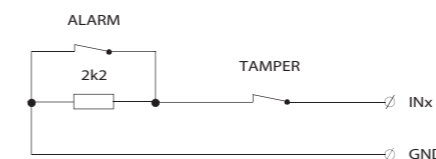


IM3-80B



Balanced input

Simple:



Double:

